

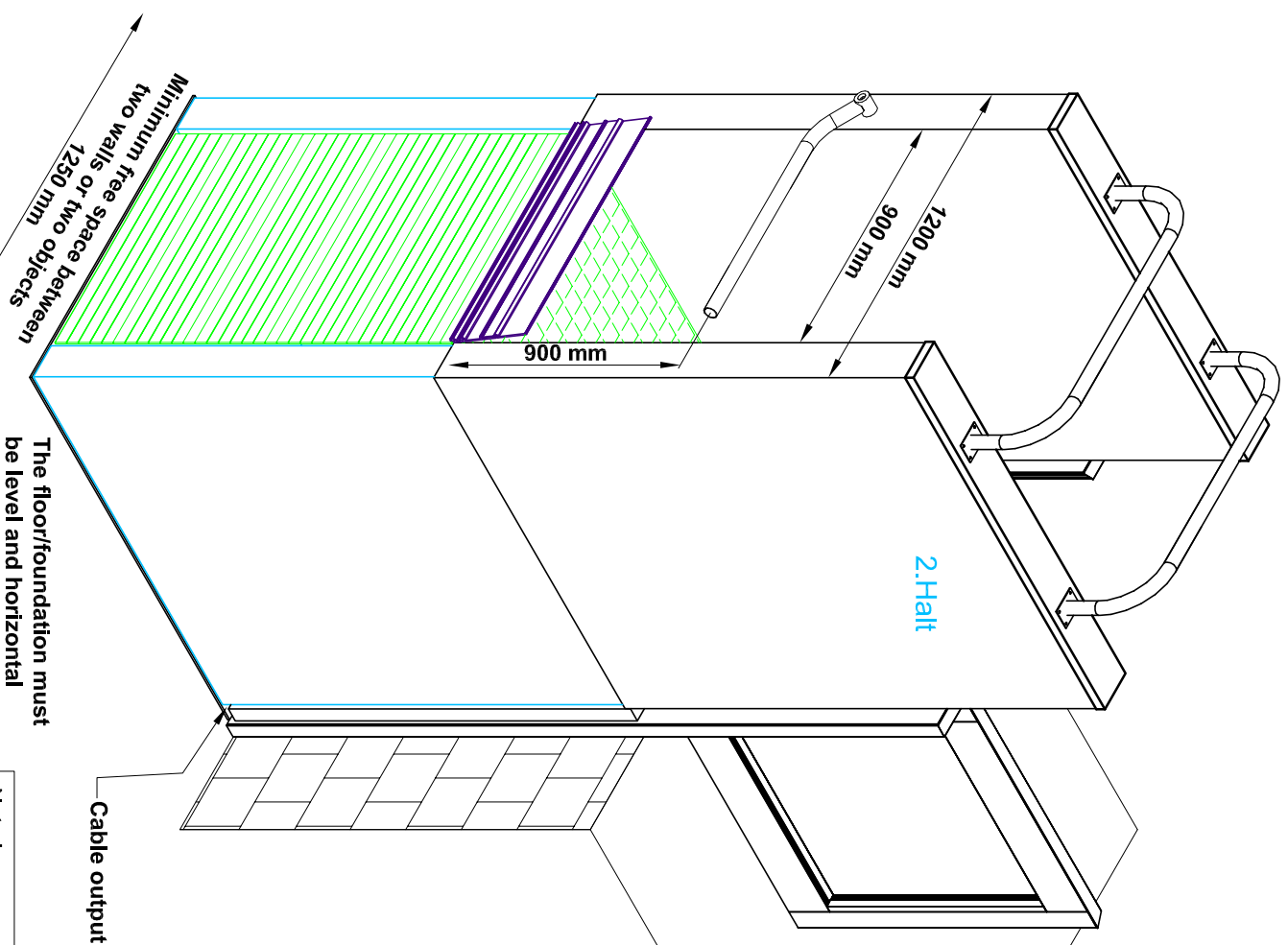
Measures for the foundation / exterior unit:

Size/mm	width B/mm	length L/mm with door	LH/mm until	LH/mm with shutter guidance
1200 x 1400	1250	1850	1500	1500
1200 x 1250	1250	1700	1500	1500
1200 x 1400	1250	1800	1200	1200
1200 x 1250	1250	1650	1200	1200
1200 x 1400	1250	1800	1000	1000
1200 x 1250	1250	1650	1000	1000

The foundation must have a load-carrying capacity of 1000 kg/m² and central there must be a drain hole.

	A public	B private	H	number of reinforcing bar
LH until 1000 mm	1400	1250	1285	1
LH until 1200 mm	1400	1250	1485	1
LH until 1500 mm	1400	1250	1785	2

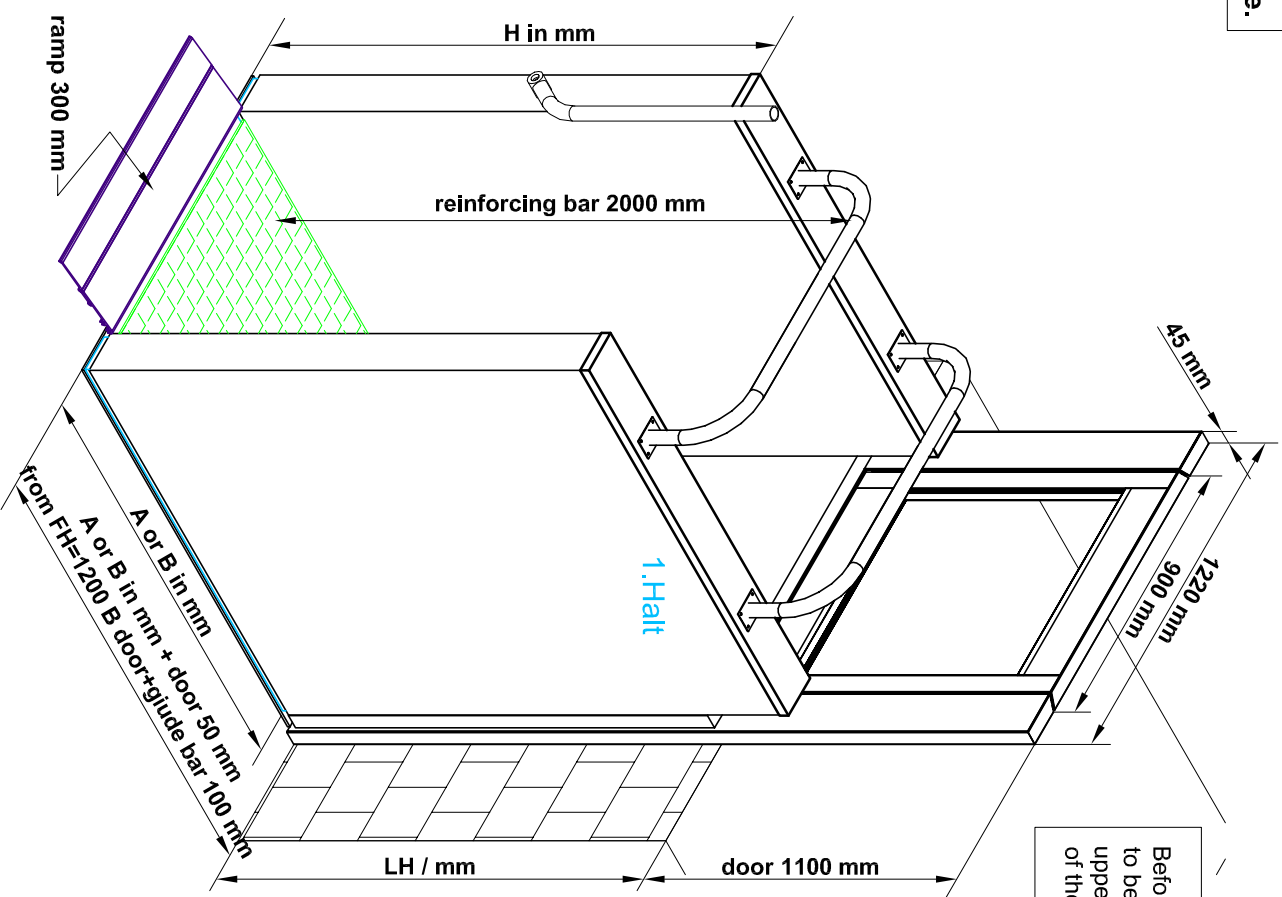
With units with a LH over 1200 mm a shutter guidance is necessary.



The floor/foundation must be level and horizontal

Cable output is always on the right side

for the public sector with door as anti-fall guard



Before placing the lift into position the door/doorframe has to be drilled to the bottom floor or foundation and to the upper landing level in a 115 mm beneath the upper edge of the upper floor = lifting height

Note 1
In case of outdoor units there must be provided an empty tube 20 mm dia. with a cable 3x1.5 mm² to a plug socket places inside of the building.

Hersteller:		HARO	
Gewicht:			
Hebebühne HARO 450 with door			
lifting height 1500 mm			
Name:		HIRO LIFT	
Blattfeld:		Blattfeld	
Datum:	16.02.2012	Welland	
Beauftragter:			
Zustimmung:			
Zust:			
Klass.-Nr.:		HIRO 450	
Blatt-Nr.:			