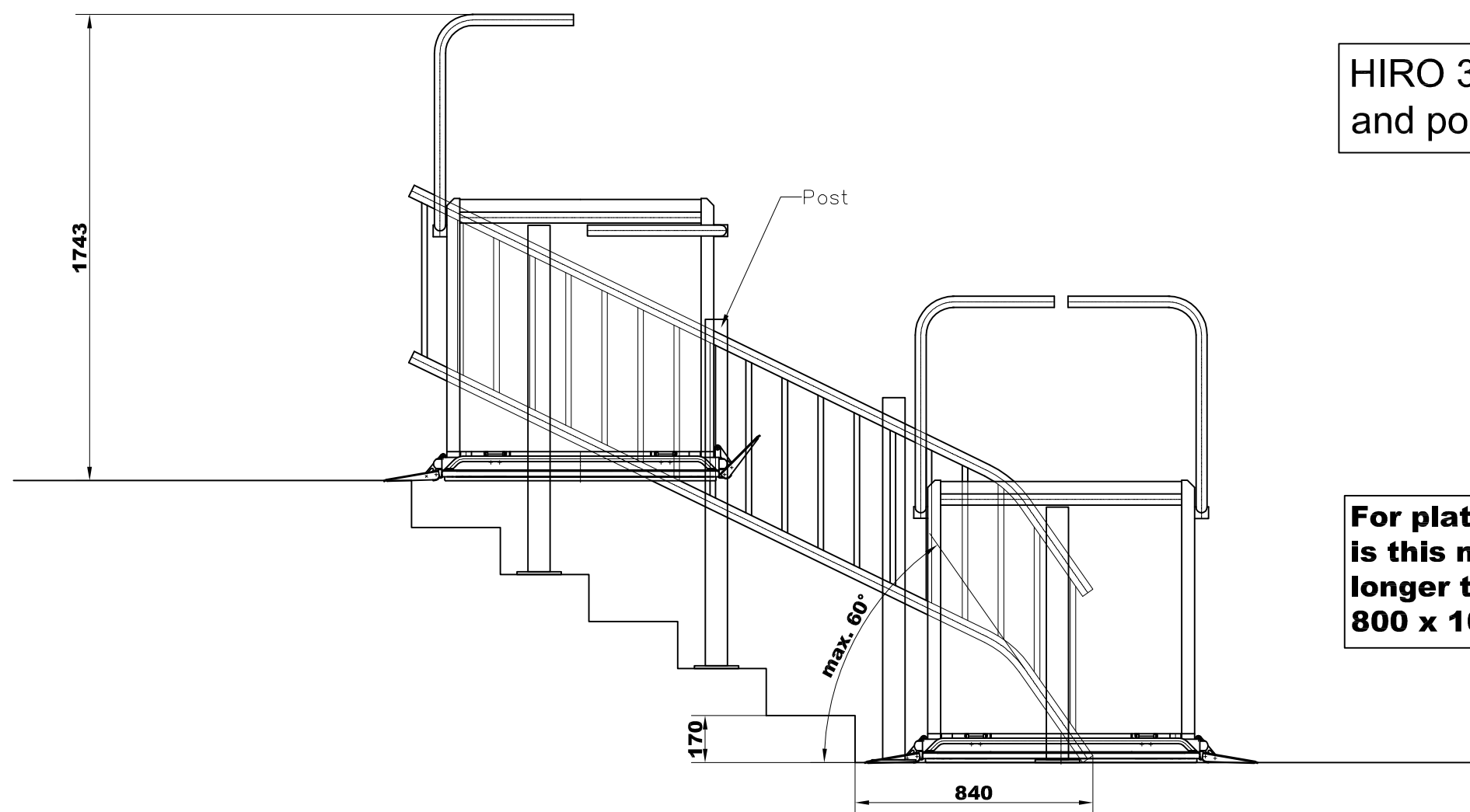
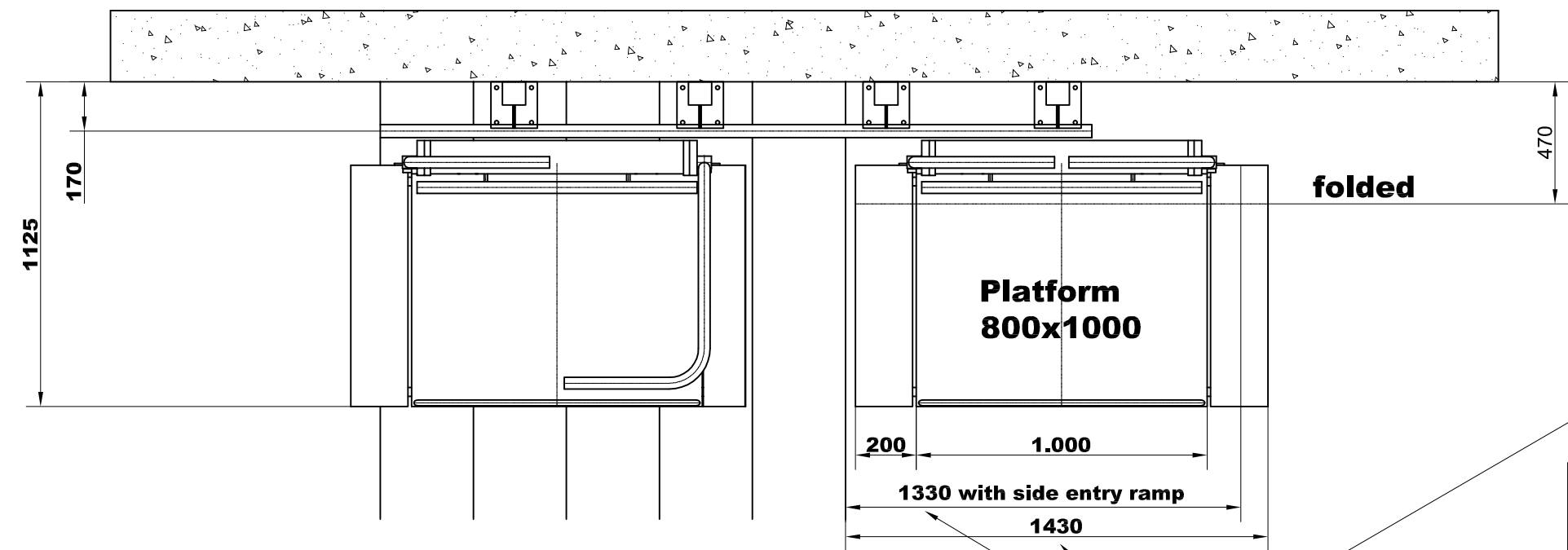


HIRO 320 with steep angle start and post fastening !



For platform 800 x 1250 mm is this measure 125 mm longer than for platform 800 x 1000 mm !



For platform 800 x 1250 mm is this measure 250 mm longer than for platform 800 x 1000 mm !

| | | | | | |
|-------|----------|---------------------------|--------|---------------------------|-------|
| | | | | Maßstab: 1 : 10 | |
| | | | | Gewicht: | |
| | | Wheel-Chair-Platform-Lift | | HIRO LIFT | |
| | | HIRO 320 RIGHT | | | |
| | | Datum | Name | HIRO LIFT | |
| | | Bearb. 11.08.99 | Wresch | West Germany | |
| | | Zeich.-Nr.: 17736_05/60 | | Sach-Nr.: 024036-S-3200.T | |
| 05 | Anderung | 03.07.01 | Wresch | | |
| Zust. | Anderung | Datum | Name | | |
| | | | | 1 | Blatt |
| | | | | 1 | Bl. |