

**SR Smith™**

PAL POOL LIFT

# pal POOL LIFT



# PAL pool lift



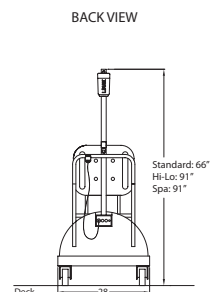
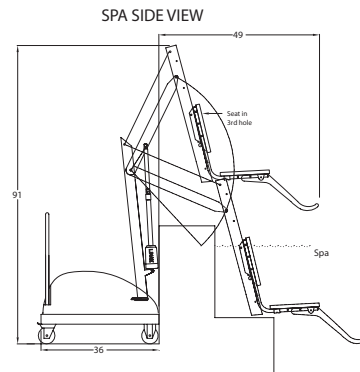
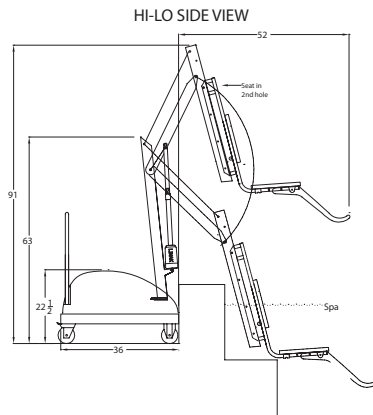
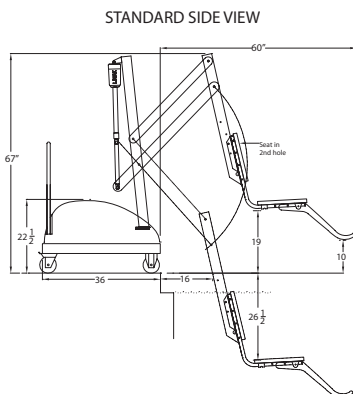
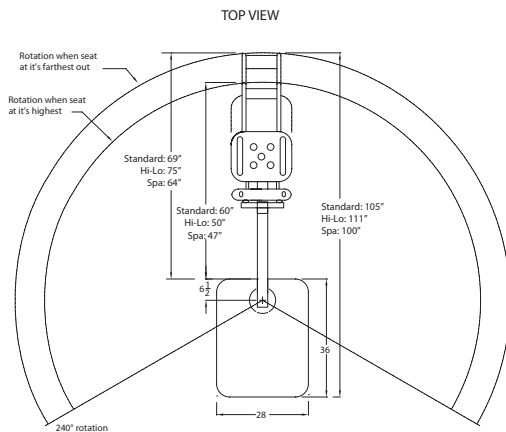
Since its introduction in 1997, the PAL (Portable Aquatic Lift) has become the industry standard for portable swimming pool access. The completely portable PAL is the perfect accessory for any commercial aquatic facility.

- 3<sup>rd</sup> party verified ADA compliant
- 300 lb/136 kg lifting capacity
- Completely portable—easy to move by one person
- Conveniently stores away when not in use
- Powered by a 24-volt rechargeable battery
- User operable via waterproof hand control
- 240° rotation
- Powder coated stainless steel and aluminum construction
- Comes with battery, charger, battery console cover, waterproof control, footrest and seatbelt assembly

Also available:

- **PAL Hi/Lo**—A variation of the PAL useful for facilities that have both in-ground pools and above ground spas.
- **PAL Spa**—Designed for above ground pools and spas up to 48 in/122 cm above the pool deck.

MODEL NO.	DESCRIPTION	SHIPPING WT.	L	W	H
200-0000	PAL	1,100 lbs.	40"	48"	60"
250-0000	PAL Hi/Lo	1,100 lbs.	40"	48"	60"
275-0000	PAL Spa	1,100 lbs.	40"	48"	60"



accessories



**Arm Rests**

Optional, flip-up armrests are available for all lifts. This accessory item can be retrofitted to a lift. The armrests are available in white. P/N 170-1000



**Seat Pad**

White, waterproof seat pad designed to enhance comfort and minimize friction. P/N 900-4000



**Spine Board Attachment**

The Spine Board Attachment works with any standard spine board (not included). Simply remove the chair assembly by pulling the attachment pin and replace that assembly with the Spine Board Attachment. P/N 500-1000



**Stability Vest**

The Stability Vest was designed to assist individuals with limited or no independent upper body or trunk stability. The vest holds the user to the chair, strapping them in for support. P/N 900-2000



**Battery & Charger**

All pool lifts are powered by a 24 volt, rechargeable battery. This battery should be left on the charger when not in use. P/N Battery 100-2000, Charger 100-3500



**Covers for PAL Models**

Protect your investment with a full, all-weather cover. P/N 920-2000  
Also available: protective cover for battery console only. P/N 920-1000



**Pool Lift Available Sign**

This 9" x 12" metal sign can be posted at your facility to let guests know about your pool lift. P/N 900-5000

## PAL WRITTEN SPECIFICATIONS

Lift Model Shall Be: S.R.Smith, LLC Portable Aquatic Lift, # 200-0000/EU.

It shall be battery powered, comply with Americans With Disabilities Act Access Guidelines (ADAAG), and have a lifting capacity of 300 pounds. Capable of easy movement to multiple pool locations using a patented counterbalance system (no deck anchors required). Product shall include battery, charger, battery console cover, waterproof control, foot rest and seatbelt assembly.

- a. Manufacturer to provide technical support and assistance to confirm pool lift satisfies pool geometry or if another PAL Model is more appropriate (Spa #275-0000, Hi/Lo #250-0000).
- b. Have a LINAK (approved for medical applications) screw/spline type actuator to provide a safe and stable stop at any point in the lifting cycle. Capable of:
  - i. Not only having a stopping point that is a minimum of 16 inches and a maximum of 19 inches measured from the deck to the top of the seat surface when the seat is in the raised position (accessibility guidelines), but also providing additional stopping points at various heights to accommodate users of all ages and abilities.
  - ii. Submerging the seat a minimum of 18" below the surface of the water.
- c. Configured to facilitate ease in user transfer within clear deck space of 36 inches wide by 48 inches deep starting 12 inches from the back end of the seat (Ref. ADAAG)
- d. Have a 24-volt gear motor to power side to side rotation to allow for ample clear deck space for transfer on both sides of the lift.
- e. Seat:
  - i. Width of 18.5 inches (ADAAG Requires 16 inches).
  - ii. Back that extends 24 inches high (ADAAG Requires 12 inches).
- f. Be structurally capable of providing a stable user transfer and pass a static load test equal to 1.5 times the rated load capacity.
- g. Metallic parts (stainless steel and aluminum) to be passivated, pretreated and powder coated using a 5-step process. The process is to be validated by samples undergoing a 4,000 hour Salt Fog Test (ASTM D1654), by a recognized independent laboratory, and achieve a rating of 10 (highest possible rating). (Note: The test is the equivalent of 10 years exposure to this harsh environment.)
- h. Have a Manufacturer's Warranty:
  - i. Frame—3 Years (except powder coated finish)
  - ii. Electronic Components—2 Years (except battery)
  - iii. Battery—1 Year, Pro-rated (90 days – 100%, 91 to 365 days – 50%)
- i. Have the following optional equipment:

PART #	DESCRIPTION
900-2000	Stability Vest
500-1000	Spineboard Attachment
170-1000	Arm Rest Assembly
920-2000	Total Cover



S.R. Smith, LLC  
P.O. Box 400, 1017 SW Berg Parkway  
Canby, Oregon 97013

P 503.266.2231 TF 800.824.4387 F 503.266.4334  
www.srsmith.com www.poollifts.com